

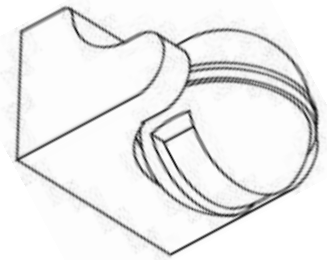
## PIR Detectors

To be read in full before installation and kept for future reference

### Safety Instruction

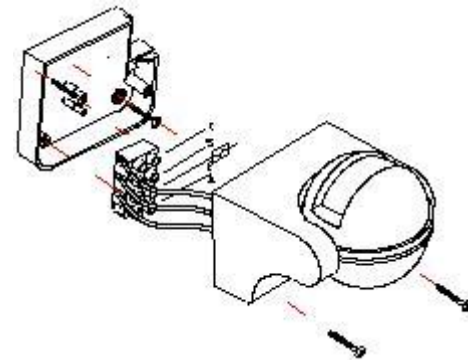
- Ensure the power supply is switched off before fitting, servicing
- This PIR Detector is for outdoor use only.
- This PIR Detector is of Class II construction
- This PIR Detector must be installed in accordance with the current edition of the IEE Wiring Regulations.

If in doubt, contact a qualified electrician.



### Installation Instructions

- Remove the rear cover by releasing the 2 retaining screws via excess hole in the front of the detector
- Feed the supply and light cables through the grommet and secure the rear cover to the mounting surface via the 2 mounting hole using appropriate fixings
- Terminate the supply conductors into the terminal block ensuring the correct polarity is observed (L← = Live (brown), N← = Neutral (blue)). Provision has been made to terminate an earth conductor as indicated with the earth symbol
- Terminate the load conductor in the correct position as indicated with the “L→” symbol
- Return the terminal block to the rear cover ensuring to position it on the 3 pillar on the rear cover, and in accordance with the “L” and “N” markings
- Offer the PIR Detector back to the rear cover and secure in position via the 2 retaining screws removed earlier
- Adjust the PIR detector to the desired position

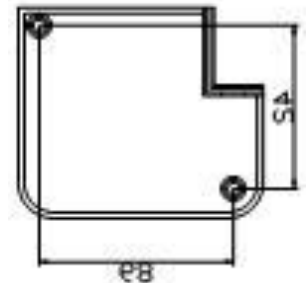


### PIR Control

To access PIR controls, rotate PIR ball downwards

On the base of the PIR are dials:

- Time Control – Turn the dial fully anti-clockwise, the light will stay on for 5 secs. Turn the dial fully clockwise, the light will stay on for 8 mins.
- Test – Turn the lux control fully anti-clockwise. Energize the detector and the light should turn on for a few seconds
- Lux Control – Provisionally turn the control fully clockwise. In this setting the PIR is inactive during daylight. At dusk, when the light level is at the desired level, adjust the dial anti-clockwise until the light turns on
- Manual Override:
  - To override the PIR (light stays on constantly) – When the PIR detector is in use, turn the power to the PIR detector off for 3-5 seconds, and then back on again.
  - To return control to the PIR – Turn the power to the PIR detector off for more than 5 second and then back on again



Power Supply	220 - 240V 50Hz	PIR Detection Range & Angle	12 meters @ 180°
Max Lighting	1200W incandescent 200W fluorescent	PIR Time range	5 sec – 8 minutes
IP Rating	IP44	Lux level range	2 – 1000 lux
Construction	Class II	PIR manual override	Yes
		Adjustable	Up-Down only